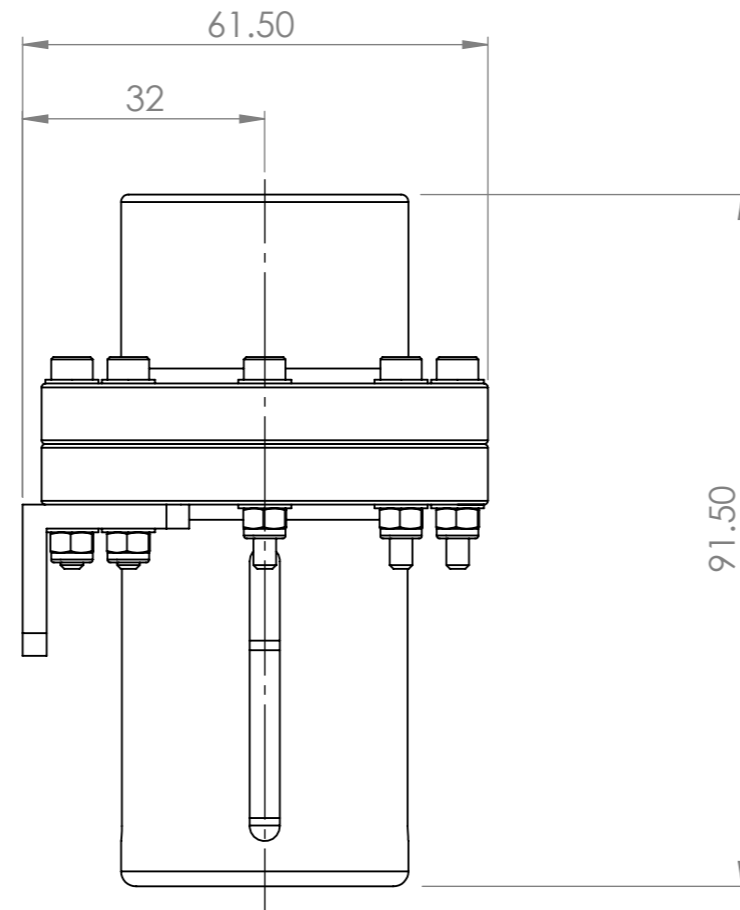
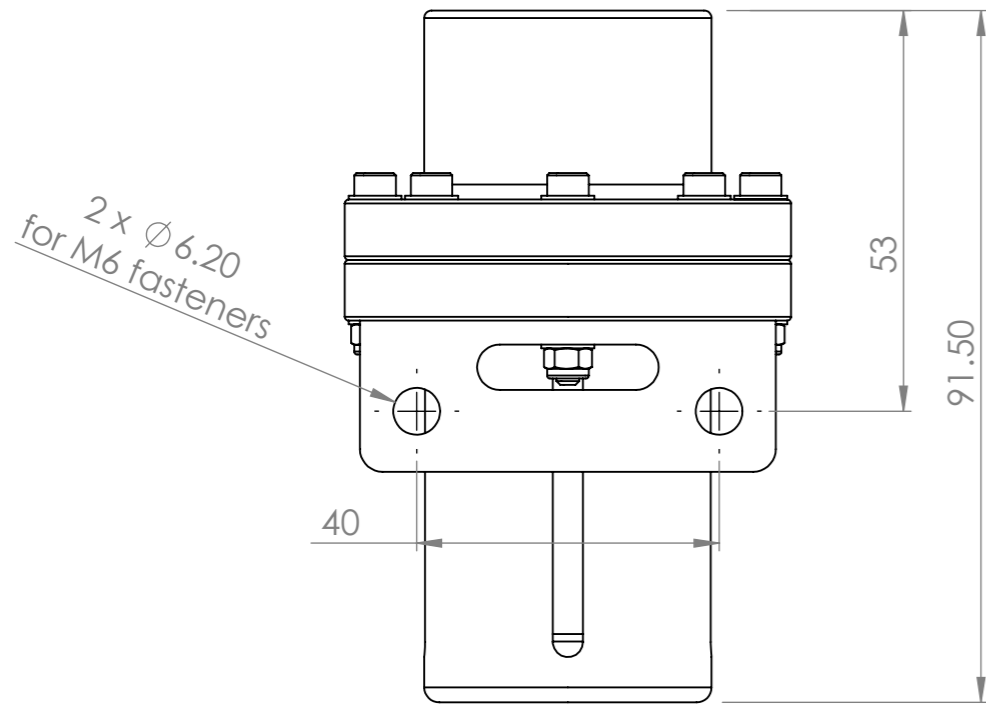
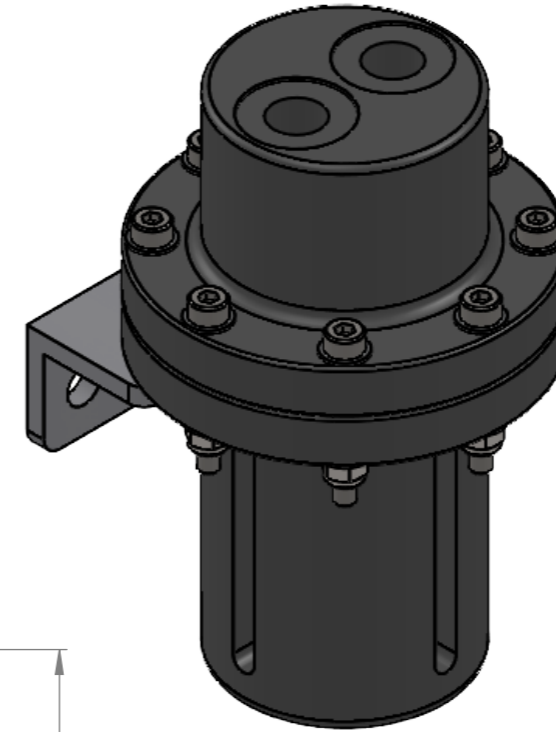
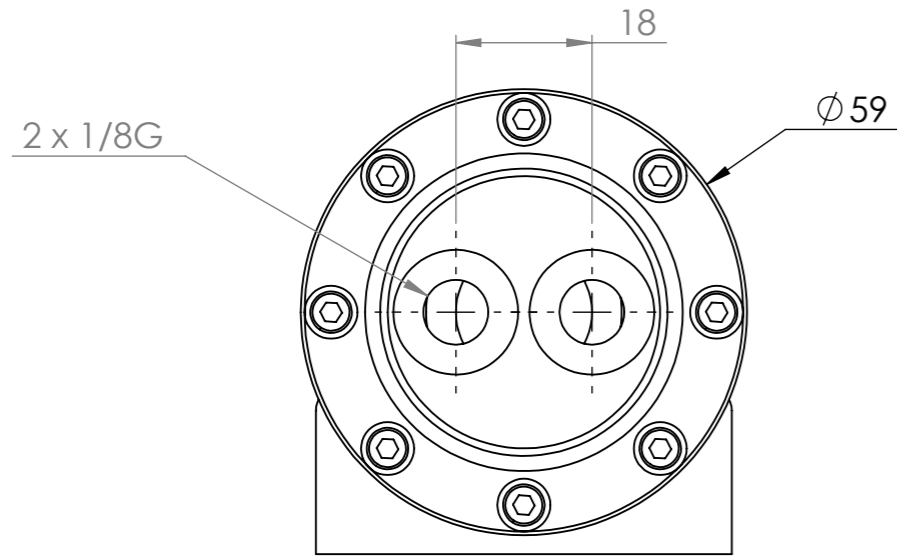


DO NOT SCALE DRAWING
THIRD ANGLE PROJECTION



NOTES

1. Compensator capacity: 28cc
2. Max working pressure: 1.1bar

REV	DRAWN	APPV'D	DATE	DESCRIPTION
1	DGM		18/07/24	ISSUED FOR INFORMATION

RECORD OF REVISIONS

Macduff Robotics Ltd
Aberdeen, Scotland.
www.macduff-robotics.com
enquiries@macduff-robotics.com

MATERIAL:
-
FINISH:
-
TOLERANCE:
+/- 0.1mm
WEIGHT:

TITLE:
28cc Compensator Assembly
- 2 x 1/8 BSPP Port
SHEET 1 OF 1

DWG NO. **GA0008** REVISION **1**
SCALE:1:1 A3

DIMENSIONS ARE IN MILLIMETERS, UNLESS OTHERWISE SPECIFIED